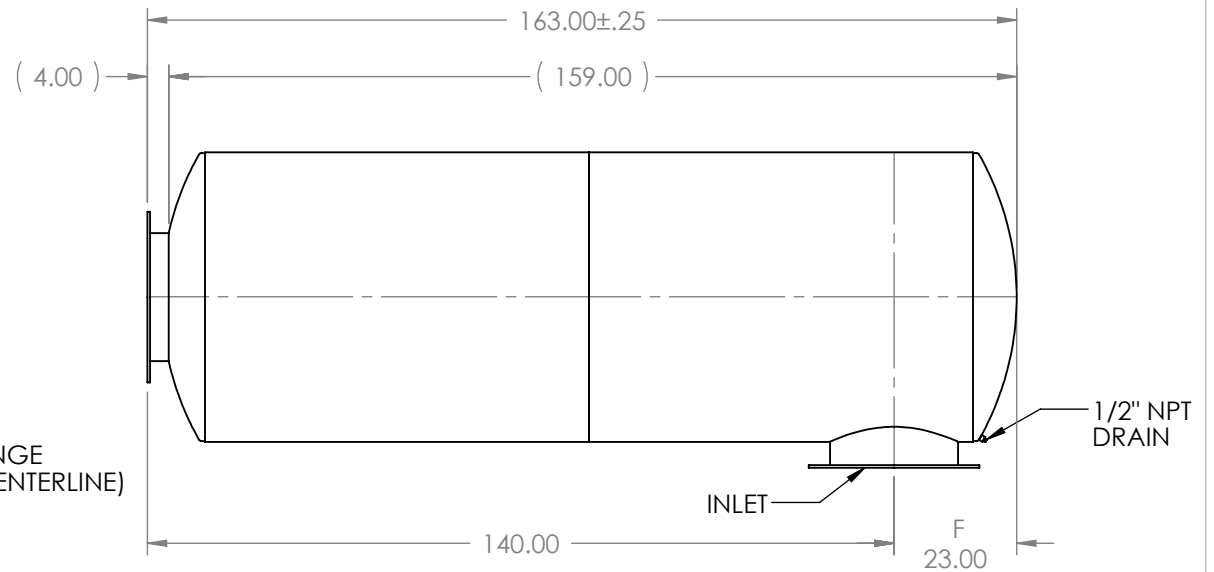



OUTLET END VIEW



SIDE VIEW

- NOTES:
1. F MIN = 23.00"
 2. F MAX = 71.00"
 3. PART #A201-5124-2-F25 WOULD HAVE AN F DIMENSION OF 25.00"

UNLESS OTHERWISE SPECIFIED:	DRAWN	ATS/KKA	02/23/11	PART # A201-5124-2-F23						
DIMENSIONS ARE IN INCHES TOLERANCES: FRACTIONAL ±1/8" ANGULAR: MACH ± BEND ± TWO PLACE DECIMAL ±.13 THREE PLACE DECIMAL ±.125	CHECKED			TITLE: A201-5124 24" CRITICAL GRADE SILENCER STYLE 2						
INTERPRET GEOMETRIC TOLERANCING PER:	ENG APPR.			<table border="1"> <tr> <td>SIZE</td> <td>DWG. NO.</td> <td>REV</td> </tr> <tr> <td>A</td> <td>2012405012-F2300</td> <td>A</td> </tr> </table>	SIZE	DWG. NO.	REV	A	2012405012-F2300	A
SIZE	DWG. NO.	REV								
A	2012405012-F2300	A								
MATERIAL SEE BOM	 <p>PROPRIETARY AND CONFIDENTIAL THE INFORMATION CONTAINED IN THIS DRAWING IS THE SOLE PROPERTY OF GT EXHAUST, INC. ANY REPRODUCTION IN PART OR AS A WHOLE WITHOUT THE WRITTEN PERMISSION OF GT EXHAUST, INC IS PROHIBITED.</p>		SCALE: 1:36	WEIGHT: 1883	SHEET 1 OF 1					
FINISH HIGH HEAT BLACK			DO NOT SCALE DRAWING							